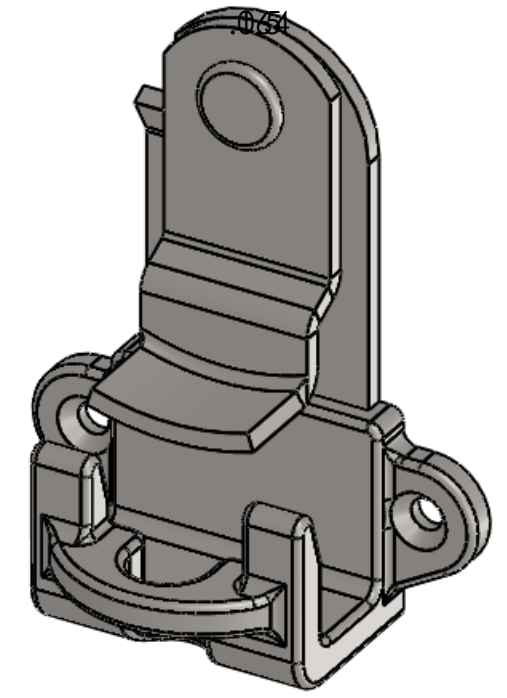
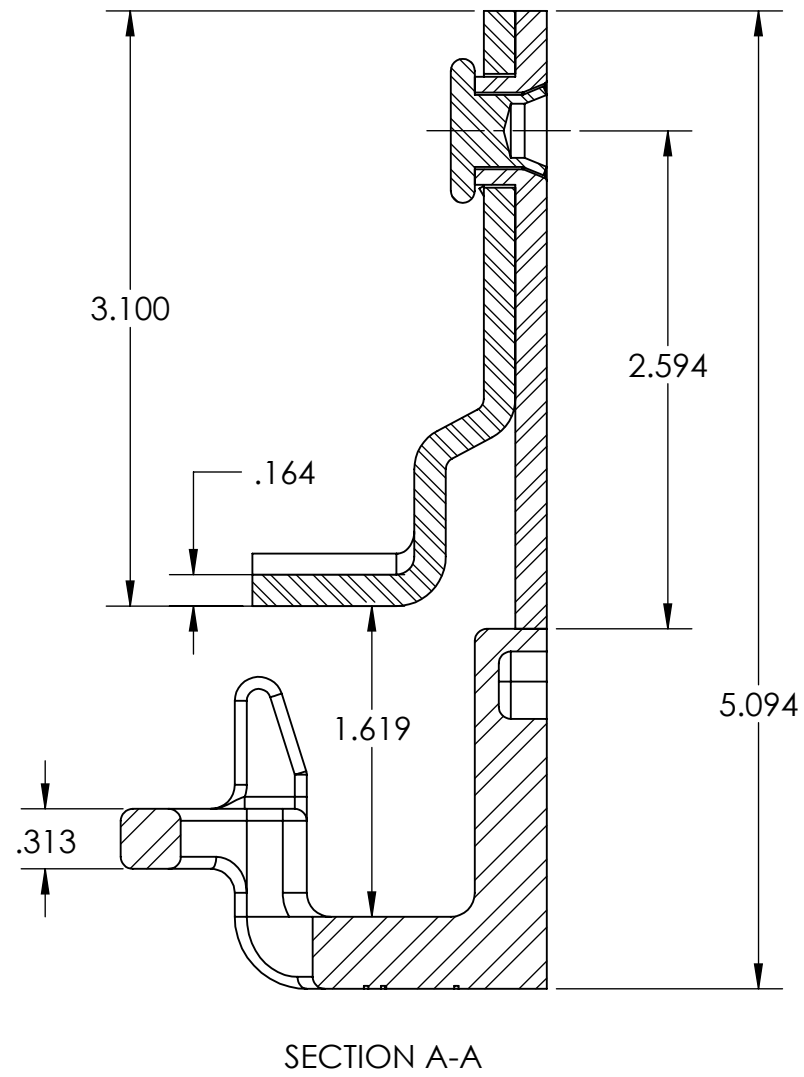
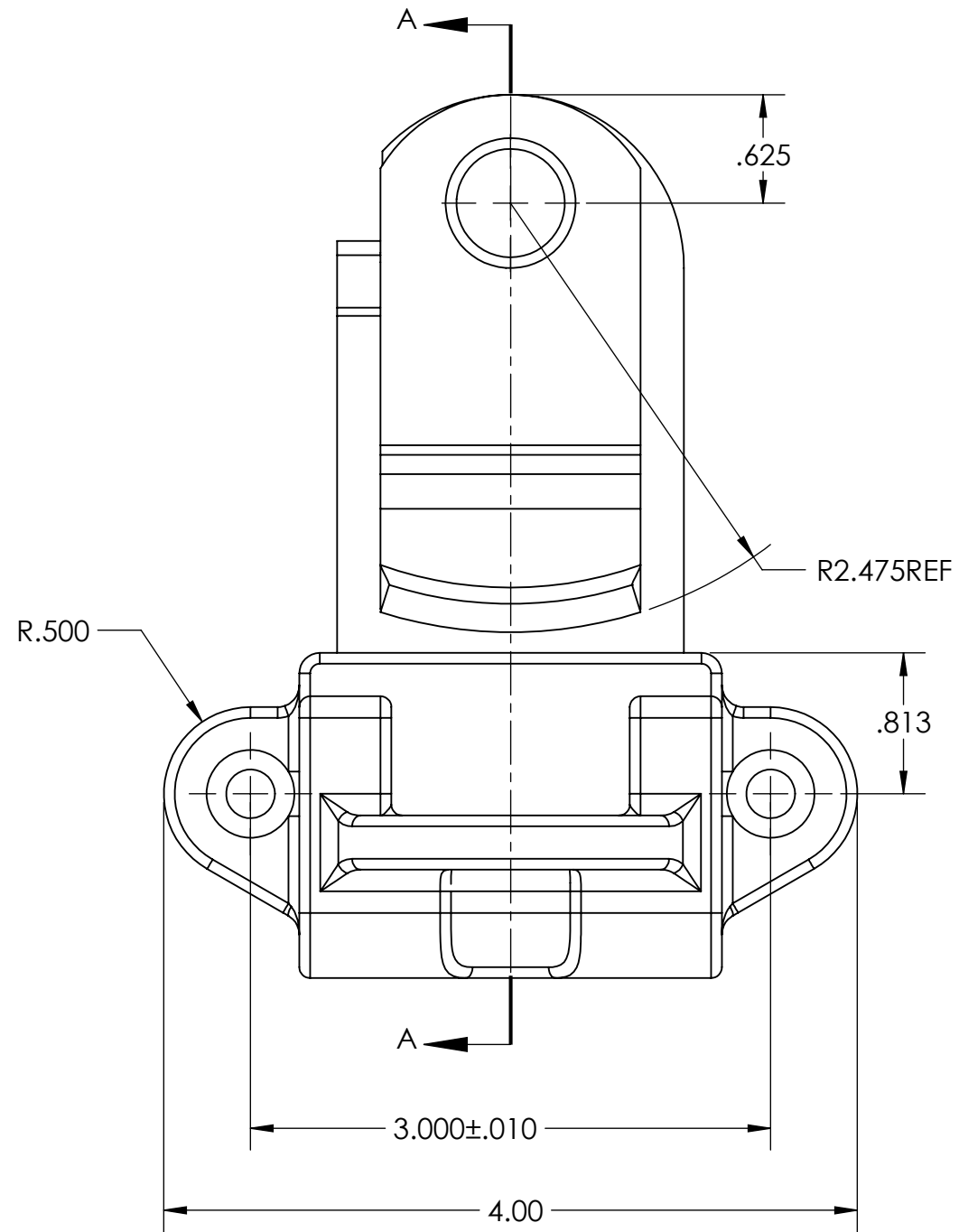


0148-001

THE INFORMATION CONTAINED IN THIS DRAWING IS THE **SOLE PROPERTY** OF POLAR HARDWARE MFG. CO., INC. ANY REPRODUCTION IN PART OR WHOLE WITHOUT THE WRITTEN PERMISSION OF POLAR HARDWARE MFG. CO., INC IS **PROHIBITED**.

REVISIONS			
REV.	DESCRIPTION	DATE	APPROVED



SCALE: 2:3

ALL DIENSIONS ARE REFERENCE

ITEM NO.	PART OR IDENTIFYING NO.	NOMENCLATURE OR DESCRIPTION	MATERIAL SPECIFICATION	QTY REQD
PARTS LIST				
UNLESS OTHERWISE SPECIFIED DIMENSIONS ARE IN INCHES TOLERANCES ARE: FRACTIONS DECIMALS ANGLES ±1/32 .X=±.02 ±1.0° .XX=±.010 .XXX=±.005 .XXXX=±.0005		CAD GENERATED DRAWING, DO NOT MANUALLY UPDATE	POLAR HARDWARE MFG. CO., INC 1813 West Montrose Avenue, Chicago, IL 60613 Tel.(773)935-8600, Fax (773)935-8749	
MATERIAL SEE BOM		APPROVALS DRAWN N.D. 04/13/15 CHECKED RESP ENG		
FINISH --		MFG ENG W.B. QUAL ENG	SIZE B	DWG. NO. 0148-001
NEXT ASSY	USED ON	SCALE	WEIGHT:	REV. SHEET 1 OF 2
APPLICATION		DO NOT SCALE DRAWING		