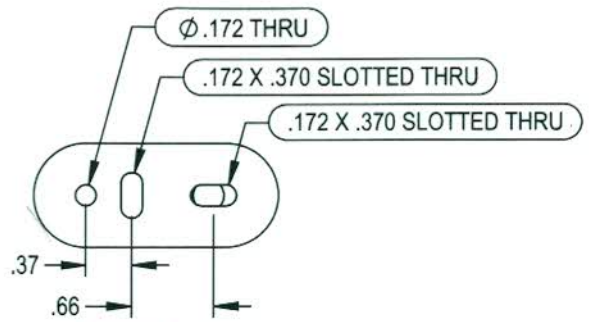
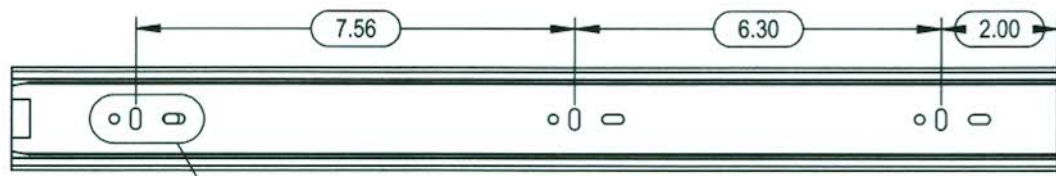
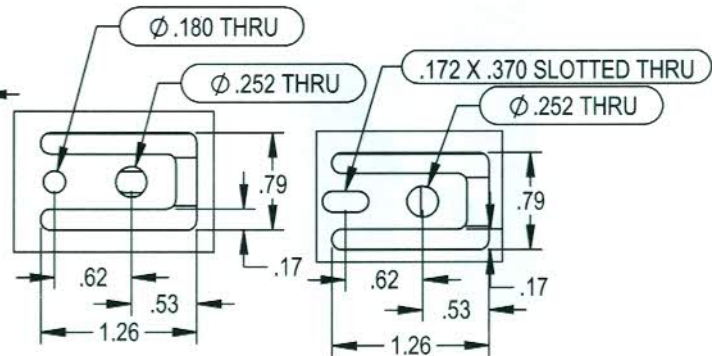
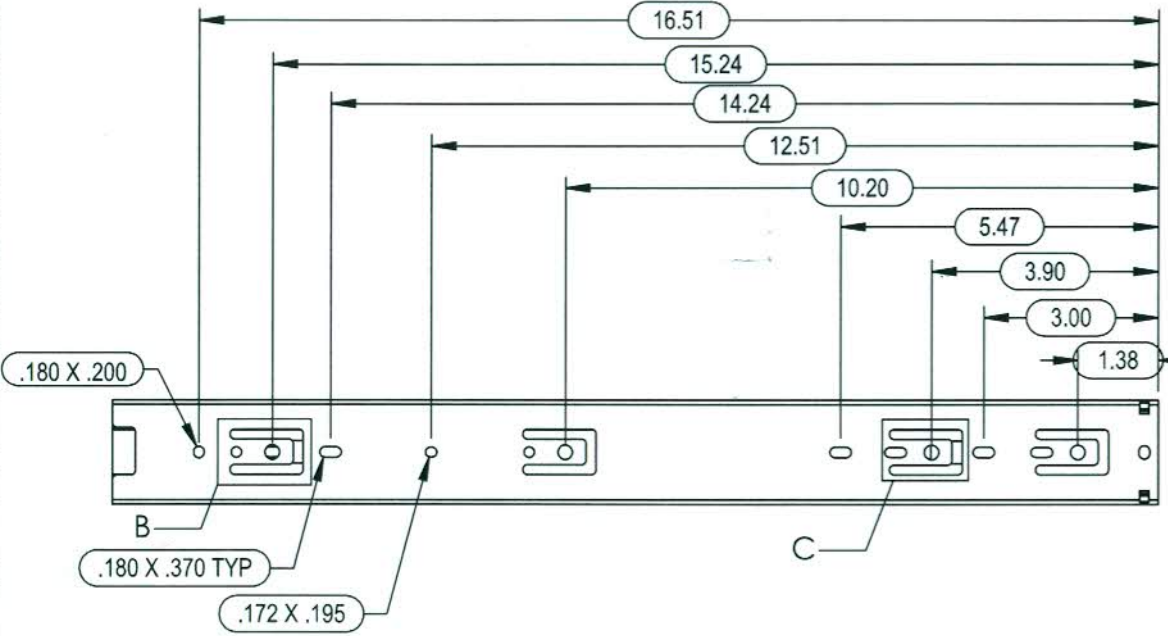


6 5 4 3 2 1

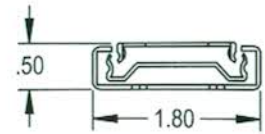
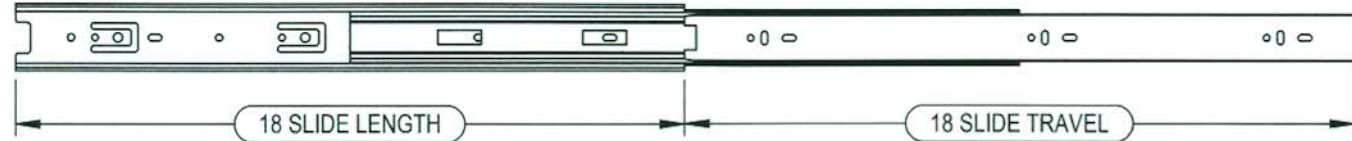


DETAIL A
SCALE 2 : 3



DETAIL B
SCALE 2 : 3

DETAIL C
SCALE 1 : 1.5



NOTES:

- 1) DO NOT SCALE DRAWING.
- 2) REMOVE ALL BURRS, NO SHARP EDGES.
- 3) MUST NOT HAVE SCRATCHES, DINGS, OR DENTS.
- 4) PART TO BE FREE FROM SURFACE IMPERFECTIONS OTHER THAN SURFACE FINISH REQUIREMENTS.
- 5) CRITICAL DIMENSIONS ARE INDICATED BY:
- 6) ALL ITEMS ARE TO BE INSPECTED TO 2.5 AQL SAMPLING PLAN UNLESS OTHERWISE STATED.
- 7) ENSURE PACKAGING WILL PROVIDE ADEQUATE PROTECTION DURING TRANSPORT.
- 8) GEOMETRIC FEATURES NOT DIMENSIONED ARE CONTROLLED BY 3D MODEL.

DEPT.	NAME	DATE
SALES		
ENG.		
Q.A.		

TOLERANCES: DESCRIPTION: