

6

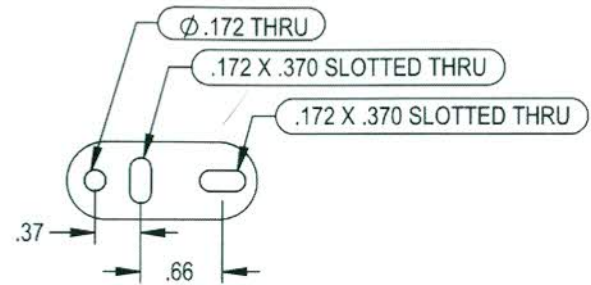
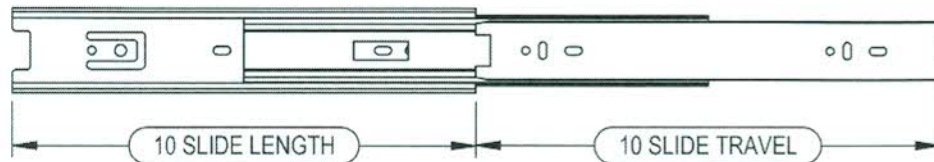
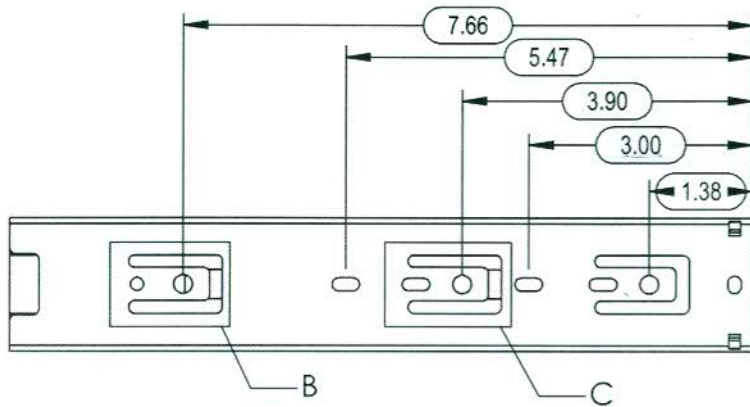
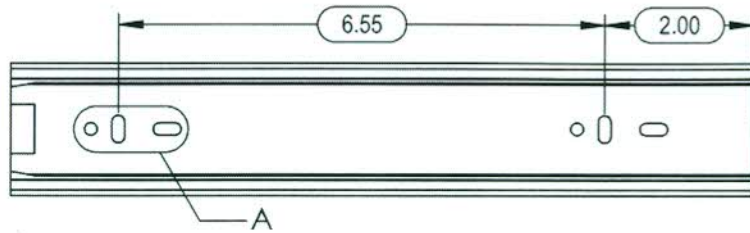
5

4

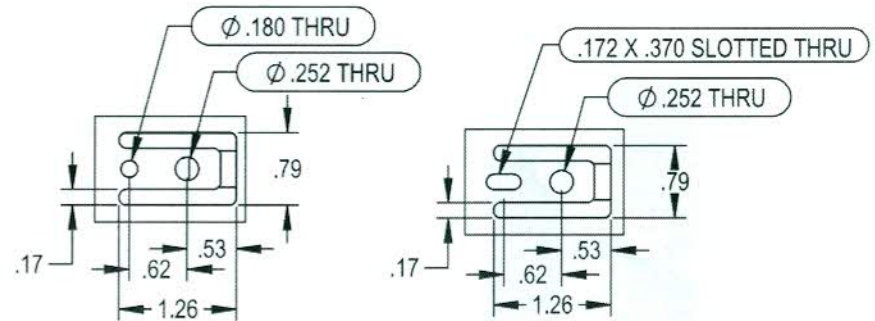
3

2

1

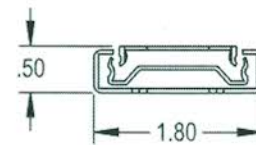


DETAIL A
SCALE 2 : 3



DETAIL B
SCALE 1 : 2

DETAIL C
SCALE 1 : 2



NOTES: