



EBERHARD

Vision & Style

® WE'RE CHANGING THE FUTURE

DRAWING REVISED

To: Mark Daraska

Date: 04-20-17

Fax/e-mail: mike@orr.com

Company: Orr & Orr

From: Jo-Anne Reid

Eberhard Part Number: 3-7901-SS-10

Engineering Release Number: 5790

Customer Part Number: N/A

We have enclosed an updated print for the part number/s referenced above.

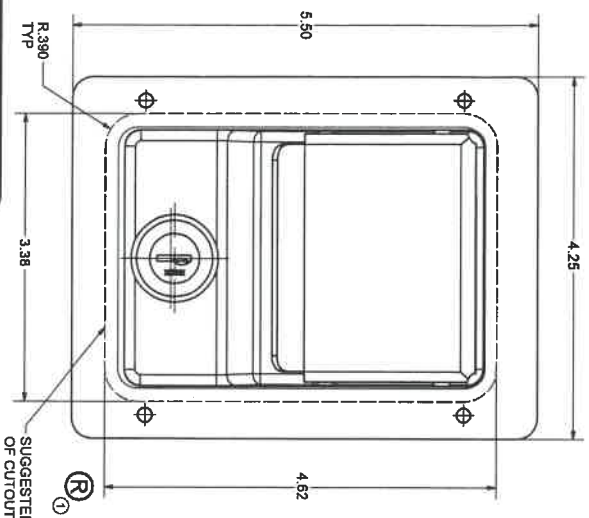
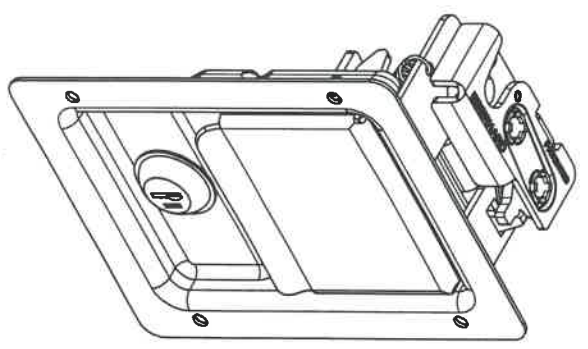
This e-mail or fax is to inform you that the above print/s from Eberhard was recently updated. Please review the print/s to make sure the correct part number/s is ordered from Eberhard for your requirements.

Any tooling that is used to produce the above part/s will remain owned and maintained by Eberhard Manufacturing Company unless listed below.

We at Eberhard Manufacturing look forward to providing you with a quality product to meet your production requirements. If you have any questions please contact Eberhard Customer Service.

Form revision 5-14-12

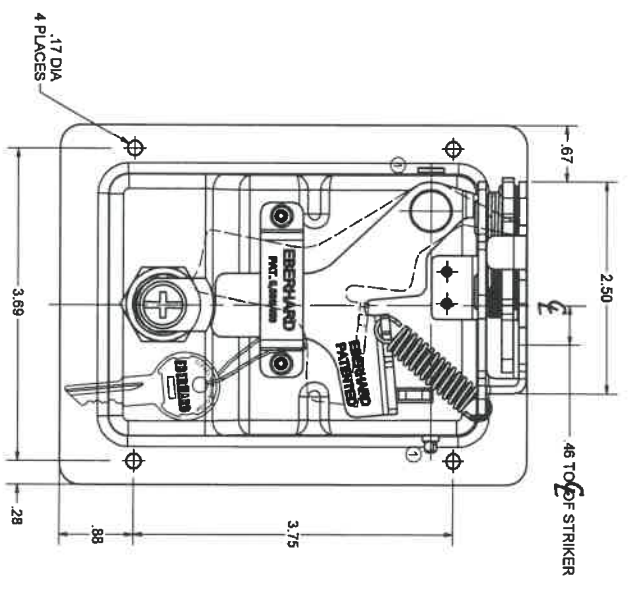
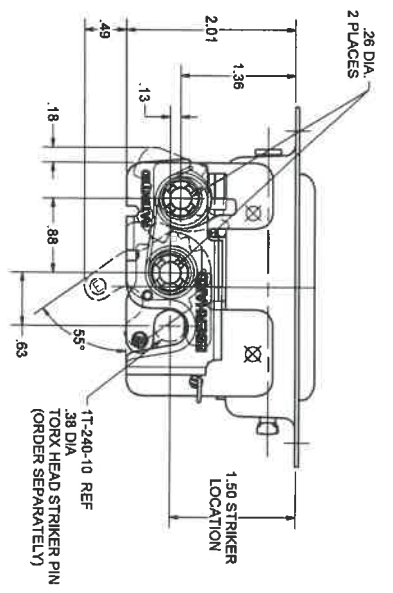
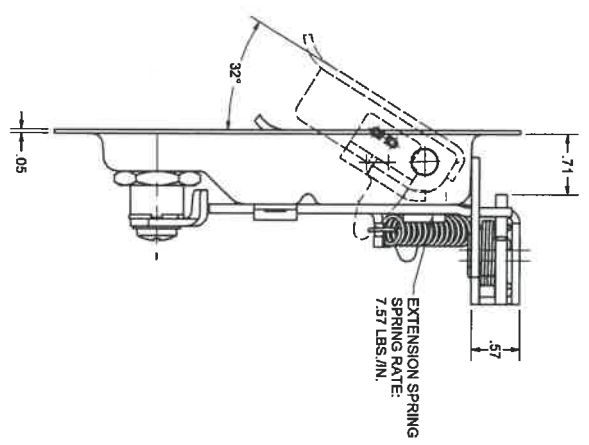
CONFIDENTIAL NOTICE: This drawing and its design, specifications and engineering information disclosed herein are the property of Cleghorn Manufacturing Company and are made in accordance or reproduced without express written consent. No drawing, trademark or service mark of the inventor, designer, manufacturer, or other party is to be used in any manner that would constitute an infringement of the inventor's, designer's, manufacturer's, or other party's intellectual property rights. The inventor, designer, manufacturer, or other party disclaims any liability for any use of this drawing in any way.



WARNING
THIS PRODUCT MUST NOT BE USED FOR PERSONAL RESTRAINT APPLICATIONS

MINI-ROTARY™ IS A TRADEMARK OF BERNHARD MFG. CO.
DIVISION OF THE EASTERN COMPANY

NOTES:
1. ASSEMBLY SUPPLIED WITH ONE KEY
2. REGISTERED IN THE U.S. PATENT AND TRADEMARK OFFICE.



REV	DESCRIPTION	DATE	REV BY	APPRO BY
1	REVISED DRAWING AND CONVERTED TO 3D	5/5/13		
2	DESIGN CHANGES	5/21/13	TJP	MM

DATE	BY	CHKD	APP'D
5/5/13	TJP		
5/21/13	TJP		

THIS DOCUMENT IS IN COMPLIANCE WITH AIAA
TRADEMARK AS FOLLOWS:
MINI-ROTARY™ IS A TRADEMARK OF BERNHARD MFG. CO.
DIVISION OF THE EASTERN COMPANY
CLEVELAND, OHIO 44149-9712

BERNHARD MANUFACTURING CO.
THE EASTERN COMPANY
CLEVELAND, OHIO 44149-9712

**RECESSED HANDLE AND ROTARY KEY
LOCKING ASSEMBLY**

CUSTOMER PRINT
SHEET 1 OF 2

3-7901/SS

SUPersedes DRAWING 3-7901/SS SHEET 1 OF 2 DATED 3/24/08.